

centurion

- ❖ 4 Locking Points
- ❖ Adjustable Mushroom Cams
- ❖ Simple to Install

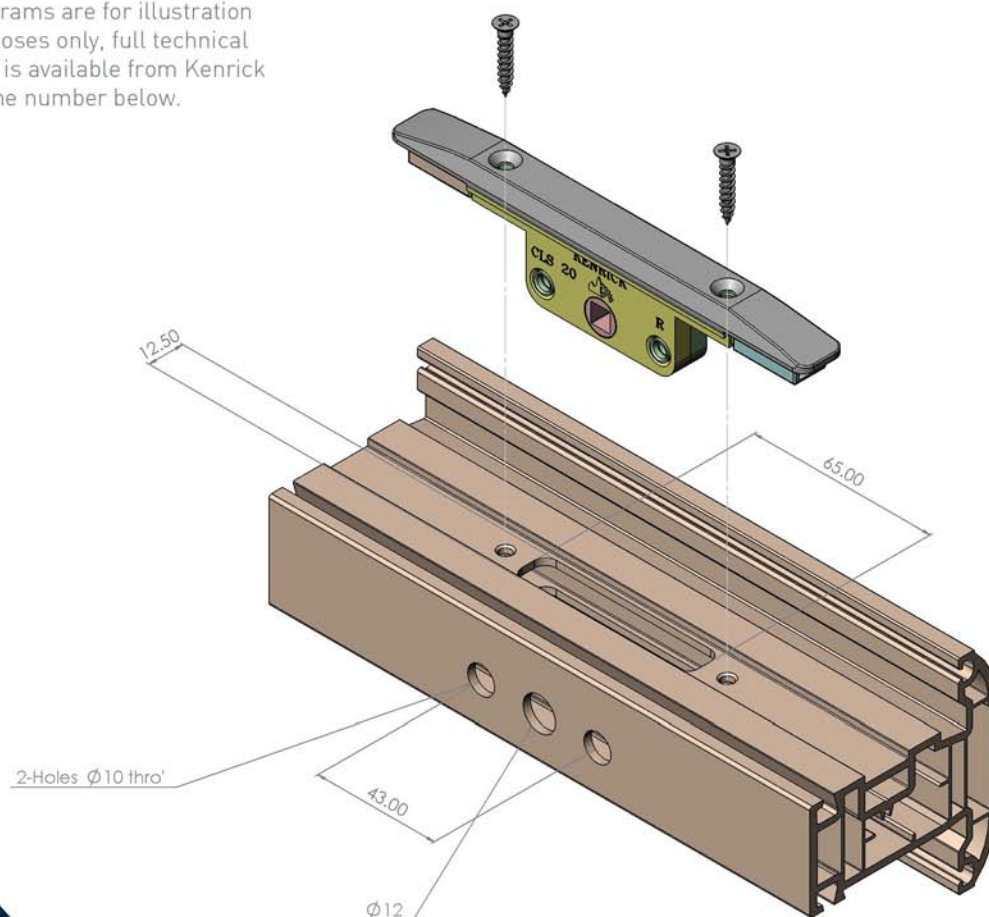


Kenrick always offer the highest possible quality product with features that exceed the expectations of their customers. Centurion is an adaptable locking system providing high levels of security whilst also satisfying the demand for cost-effective production. By being simple to install Centurion allows window fabricators of any size the opportunity to market a high value finished product at a cost effective price.

- ❖ Robust unhandled Die-Cast Gearbox
- ❖ Profile Related Keeps with night vent facility
- ❖ Steel shootbolts
- ❖ 20 or 22mm back set
- ❖ BS7950 Capable



Diagrams are for illustration purposes only, full technical data is available from Kenrick on the number below.



TECHNICAL INFORMATION

- ❖ Mushroom Cam Adjustability: 1mm
- ❖ Mushroom Cam Stroke: 20mm

LOCKING BARS

Sash Rebate (mm)	No. Mushroom Cams
240-370	0
370-620	2
620-890	2
890-1155	2
1155-1400	2

Kenrick's policy is one of continuous improvement. The right is therefore reserved to amend specifications at any time without notice, and specification details are given as a guide only.